

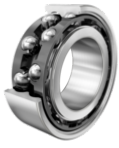
FAG

3205-BD-XL-TVH

Angular contact ball bearing

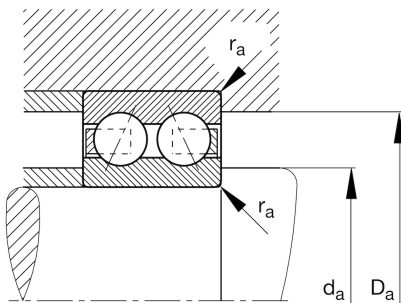
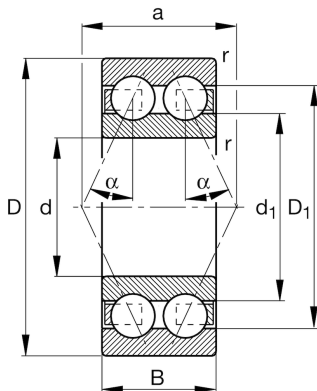
Schaeffler ID:
0636895610000

Angular contact ball bearing 32..-BD-XL-TVH, double row, X-life, plastic cage



X-life

Technical information



Main Dimensions & Performance Data

d	25 mm	Bore diameter
D	52 mm	Outside diameter
B	20.6 mm	Width
C_r	22,000 N	Basic dynamic load rating, radial
C_{0r}	15,200 N	Basic static load rating, radial
C_{ur}	1,050 N	Fatigue load limit, radial
n_G	14,300 1/min	Limiting speed
n_{gr}	12,500 1/min	Reference speed
	0.17 kg	Weight

Mounting dimensions

$d_{a \min}$	30.6 mm	Minimum diameter shaft shoulder
$D_{a \max}$	46.4 mm	Maximum diameter of housing shoulder
$r_{a \max}$	1 mm	Maximum fillet radius

Dimensions

r_{\min}	1 mm	Minimum chamfer dimension
D_1	45.1 mm	Shoulder diameter outer ring
d_1	35.8 mm	Shoulder diameter inner ring
a	30.8 mm	Distance between the apexes of the pressure cones
α	30 °	Contact angle

Temperature range

T_{\min}	-30 °C	Operating temperature min.
T_{\max}	120 °C	Operating temperature max.